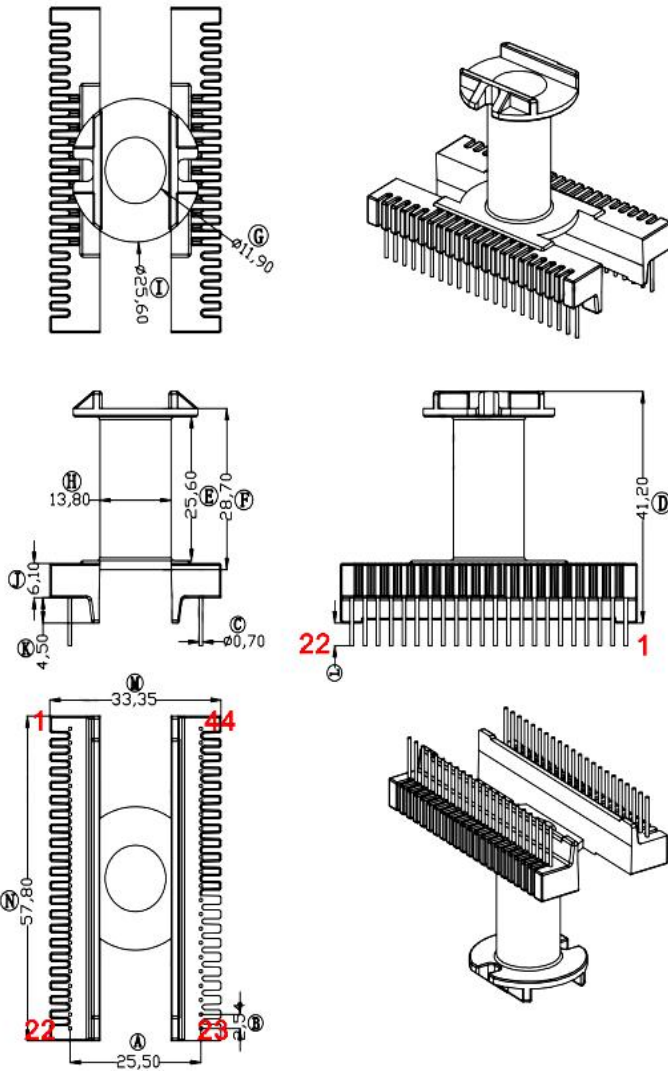




P/N: 02.03.00564




序号	料号	去除脚位	PIN长	序号	料号	去除脚位	PIN长
1	02.03.00564	PIN2,4,6,7,10,11,12,13	3.5±0.2mm	4			
2		,19,21,25,26,27,30,31,		5			
3		32,35,36,37,41,42		6			



Anhui Shirui Electronic Technology Co.,Ltd

www.shiruitech.com TEL:(0086)55165232650 sales@shiruitech.com

SR NO: SR-ER3506	MATERIAL: Phenolic	UNIT:mm TOLERANCE 0<X<4 ±0.1 4<X<16 ±0.2 16<X<63 ±0.3 PIN PITCH ±0.2	DRN:	Rick
	ULREC: UL94V-0		CHD:	Leo
MODEL NAME: ER35 (22+22)P-1S V	ANGLE:±°  SCALE 1:1		ISSD:	Jike