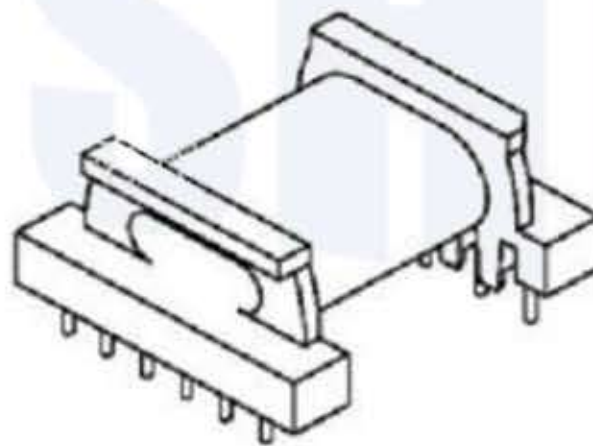
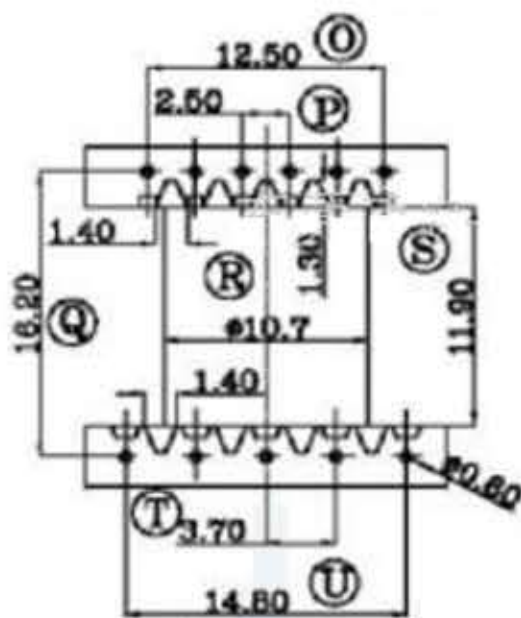
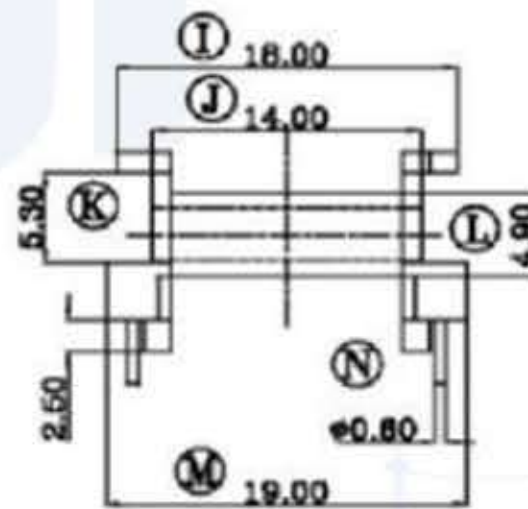
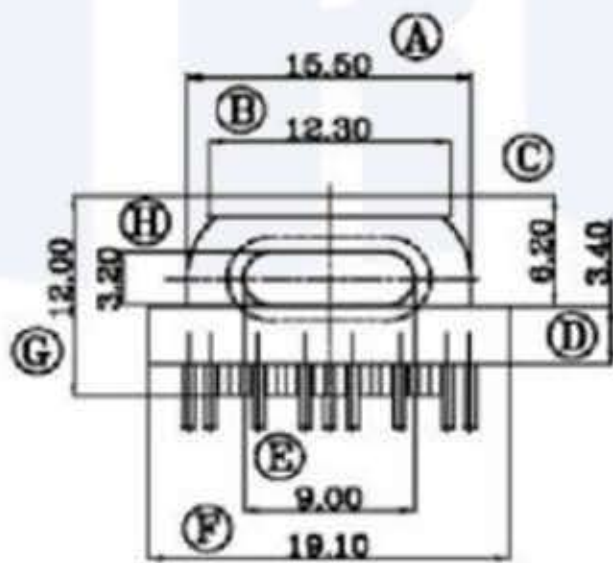

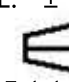


# SHIRUI



**SHIRUI** Hefei Shirui Electronic Technology Co.,Ltd

SR NO. SR-EPC1901-1	MATERIAL: PHENOLIC	UNIT: mm	DRN.	WILL H
	UL REC: UL 94V-0	TOLERANCE	CHD.	IRINA LEE
MODEL NAME: EPC19 (6+5)P-1S H	ANGLE: ±°   SCALE 1:1	0 < X < 4     ±0.1 4 < X < 16    ±0.2 16 < X < 63   ±0.3 PIN PITCH    ±0.2	ISSD.	JAMES HU