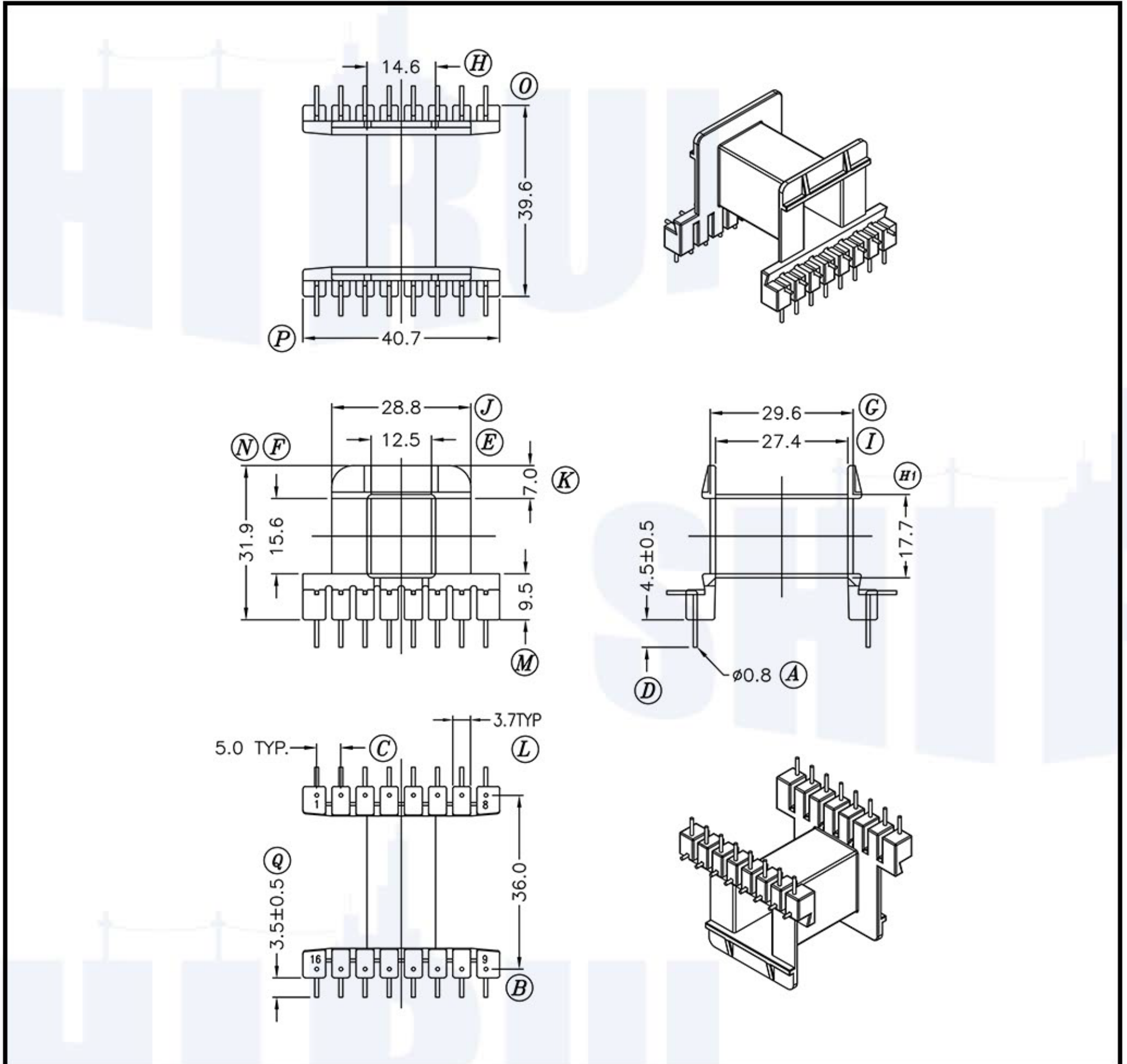

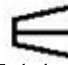


# SHIRUI



## SHIRUI Hefei Shirui Electronic Technology Co.,Ltd

SR NO. SR-EE4210	MATERIAL: PBT	UNIT: mm	DRN.	WILL H
MODEL NAME: EE42 16P-1S H	UL REC: UL 94V-0	TOLERANCE 0 < X < 4    ±0.1 4 < X < 16    ±0.2 16 < X < 63   ±0.3 PIN PITCH    ±0.2	CHD.	IRINA LEE
	ANGLE: ± °  		ISSD.	JAMES HU
	SCALE 1:1			