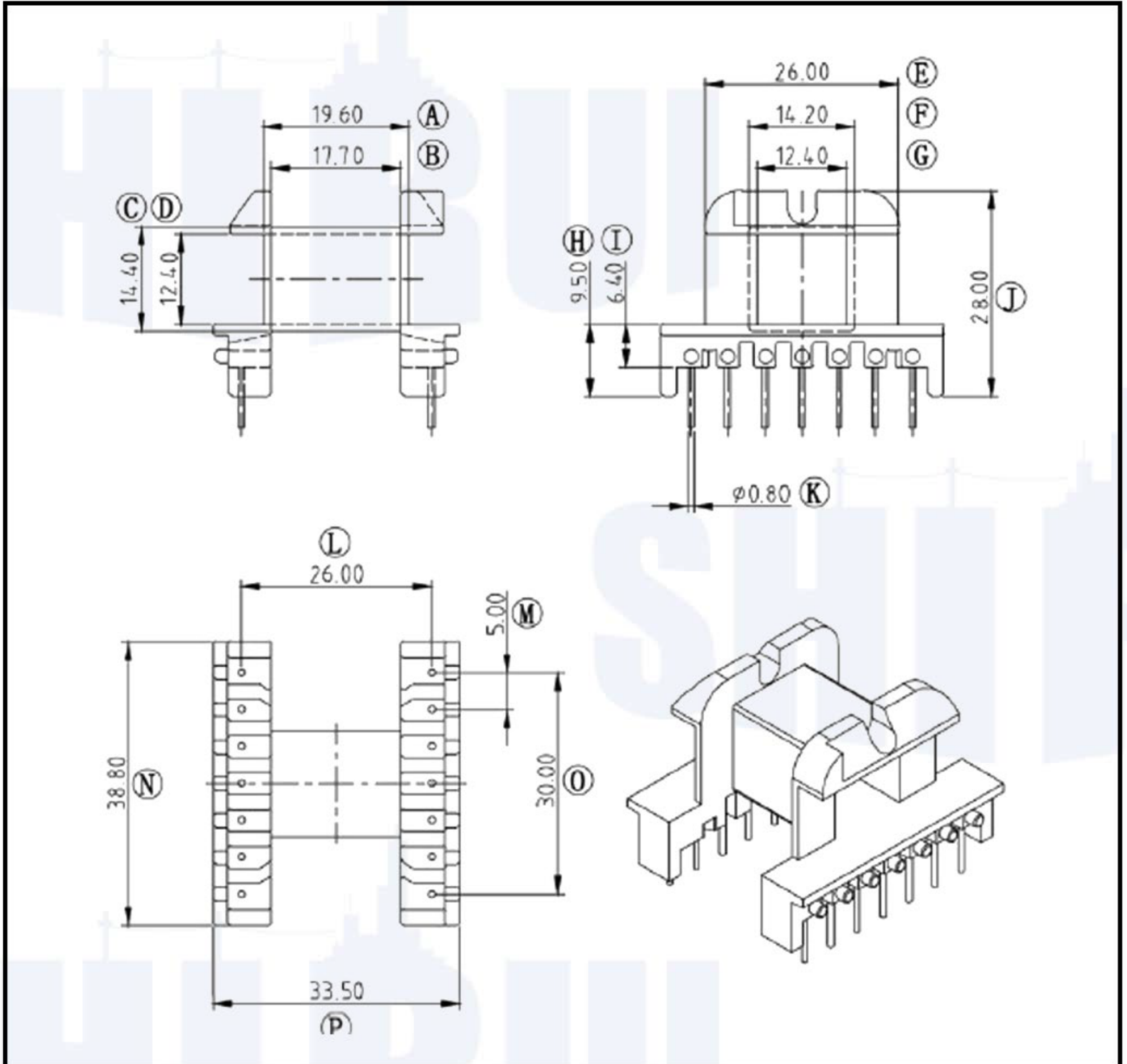

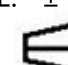


# SHIRUI



**SHIRUI** Hefei Shirui Electronic Technology Co.,Ltd

SR NO. SR-EE4006	MATERIAL: PHENOLIC	UNIT: mm	DRN.	WILL H
MODEL NAME: EE40 14P-1S H	UL REC: UL 94V-0	<b>TOLERANCE</b> 0<X<4     ±0.1 4<X<16    ±0.2 16<X<63   ±0.3 PIN PITCH   ±0.2	CHD.	IRINA LEE
	ANGLE: ±°   SCALE 1:1		ISSD.	JAMES HU