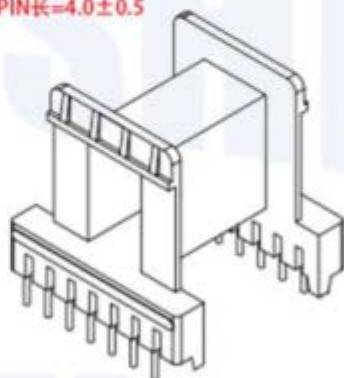
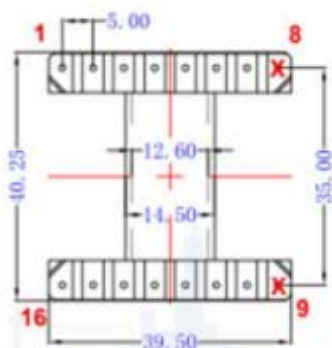


备注：①移除PIN8, PIN9;
②PIN长=4.0±0.5



Hefei Shirui Electronic Technology Co.,Ltd

SR NO. SR-EE4211	MATERIAL: PHENOLIC	UNIT: mm	DRN.	WILL H
	UL REC: UL 94V-0	TOLERANCE	CHD.	IRINA LEE
MODEL NAME: EE42 16P-1S H	ANGLE: ±°	0 < X < 4 ±0.1	ISSD.	JAMES HU
	SCALE 1:1	4 < X < 16 ±0.2		
		16 < X < 63 ±0.3		
		PIN PITCH ±0.2		