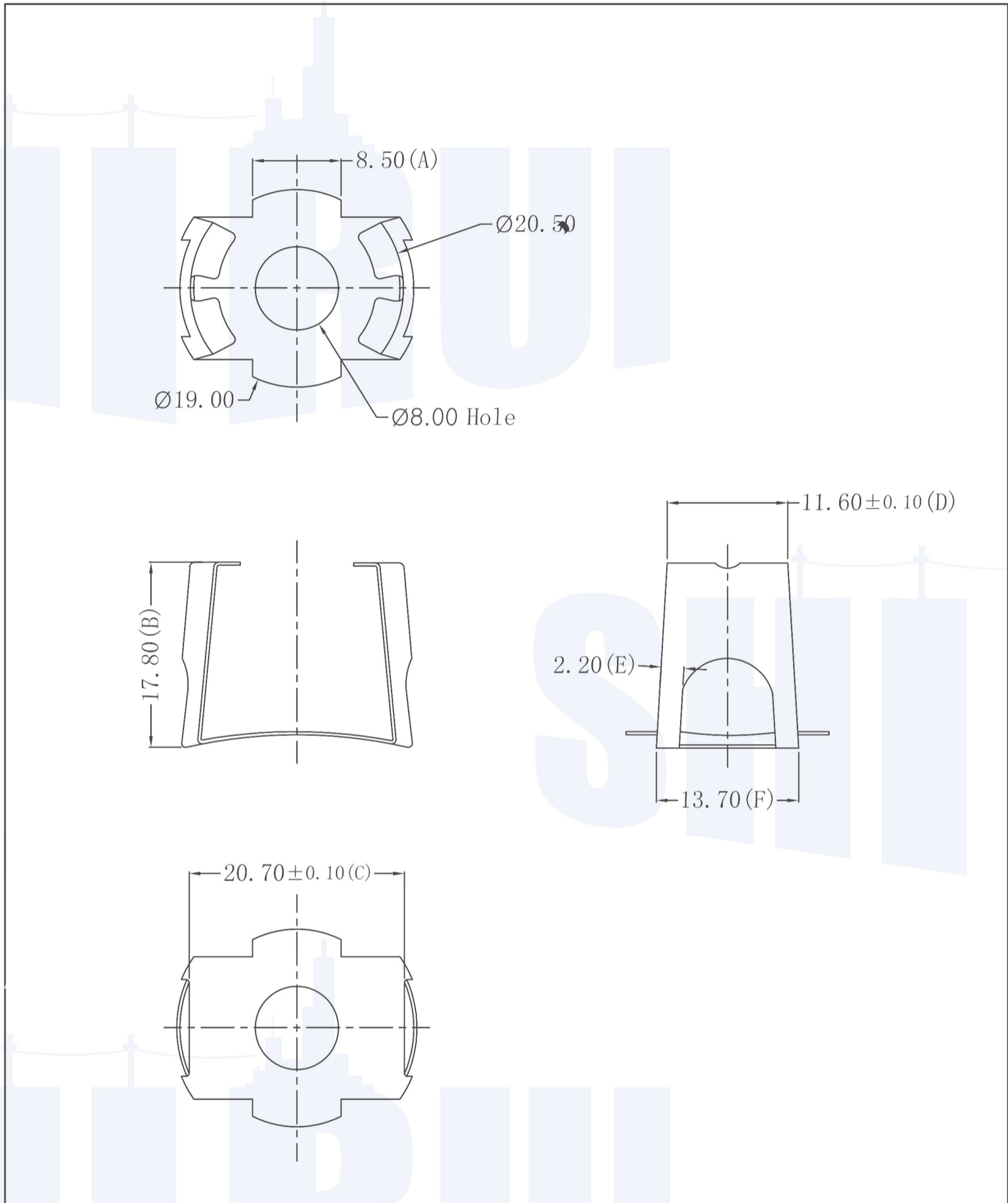


# SHIRUI



Hefei Shirui Electronic Technology Co.,Ltd

PC 2317	MATERIAL: C5191 0.3T	UNIT: MM	SCALE: 2:1	DRN.	WILL H
	ANGLE: $\pm$ ° 	TOLERANCES: $\pm 0.2$		CHD.	IRINA LEE
		SURFACE PROCESS: CLEAN		ISSD.	JAMES HU