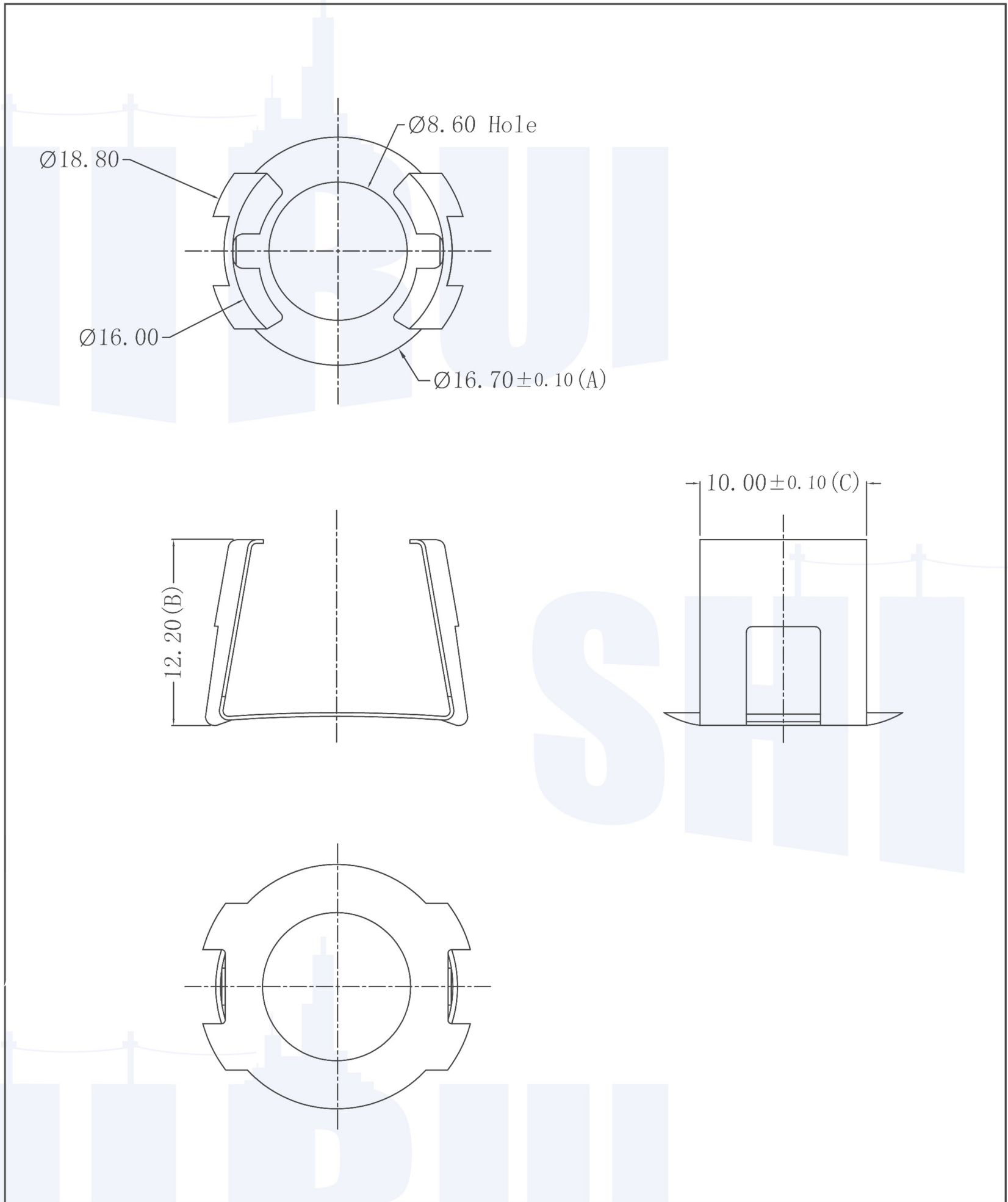


SHIRUI



Hefei Shirui Electronic Technology Co.,Ltd

P1811-1	MATERIAL: C5191 0.3T	UNIT: MM	SCALE: 2:1	DRN.	WILL H
	ANGLE: \pm ° ⊕ ◁	TOLERANCES: ± 0.2		CHD.	IRINA LEE
		SURFACE PROCESS: PLATING		ISSD.	JAMES HU