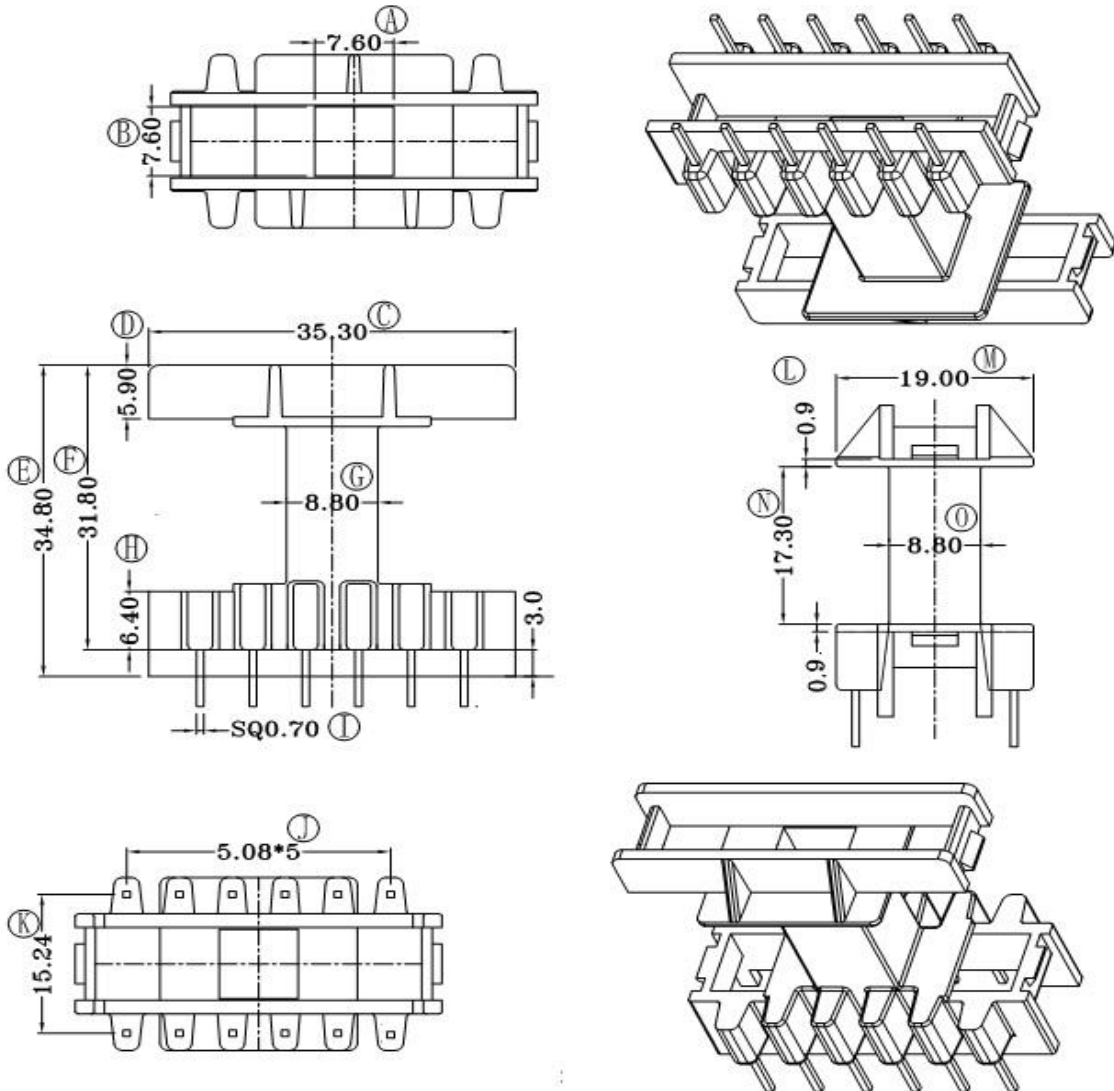


P/N

SR-EF3001


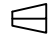


Hefei Shirui Electronic Technology Co.,Ltd

TEL:(0086) 55165232650

sales@shiruitech.com

www.shiruitech.com

| | | | | |
|-----------------------------------|--|---|-------------------|-----------------------|
| SR NO. SR-EF3001 | MATERIAL: PET UL-94V-0 | UNIT: mm TOLERANCE | DRN. | WILL H |
| MODEL NAME: EF30-6+6P-V | UL REC: UL 94V-0 ANGLE: \pm°   SCALE 1:1 | 0 L 4 ± 0.10 4 L 16 ± 0.20 16 L 64 ± 0.30 PIN PITCH ± 0.05 | CHD. ISSD. | IRINA LEE MARK |