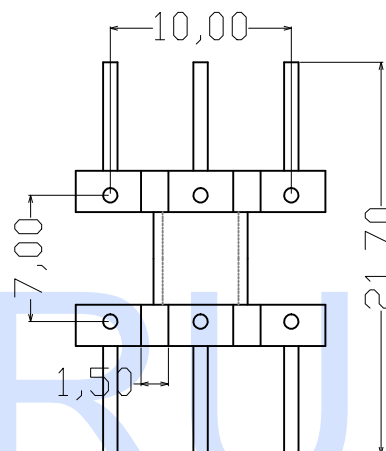
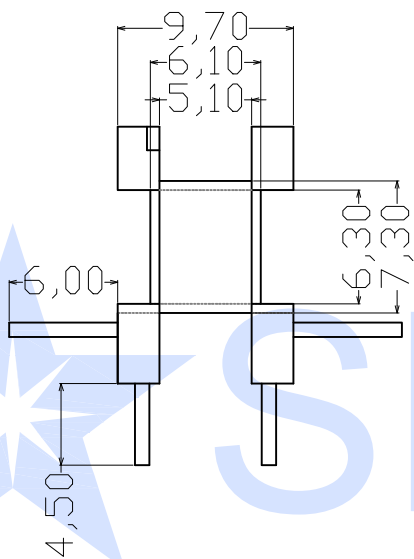
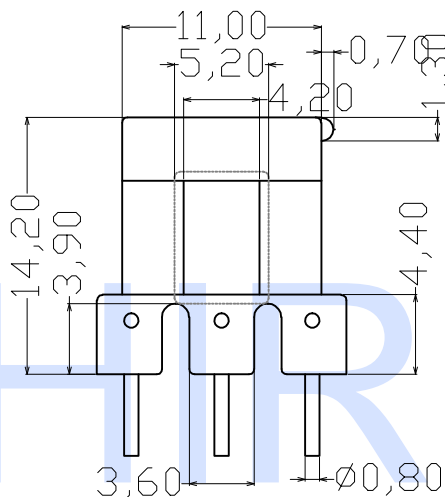
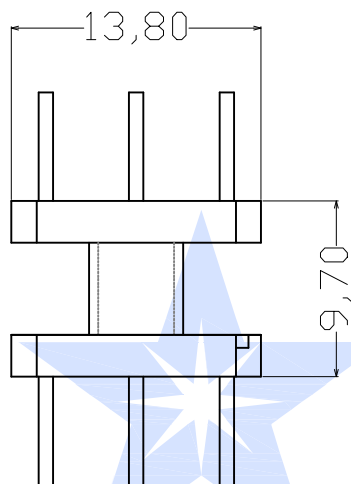


P/N

SR-EI 14



Hefei Shirui Electronic Technology Co.,Ltd

TEL:(0086) 55165232650

sales@shiruitech.com

www.shiruitech.com

SR NO. SR-EI 14	MATERIAL: LCP4008	UNIT: mm	DRN.	WILL H
MODEL NAME: EI14-(3+3P)-1S H	UL REC: UL 94V-0	TOLERANCE	CHD.	IRINA LEE
	ANGLE: ± °	0 L 4 ±0.10	ISSD.	JAMES HU
	SCALE 1:1	4 L 16 ±0.20		
		16 L 63 ±0.30		
		PIN PITCH ±0.05		