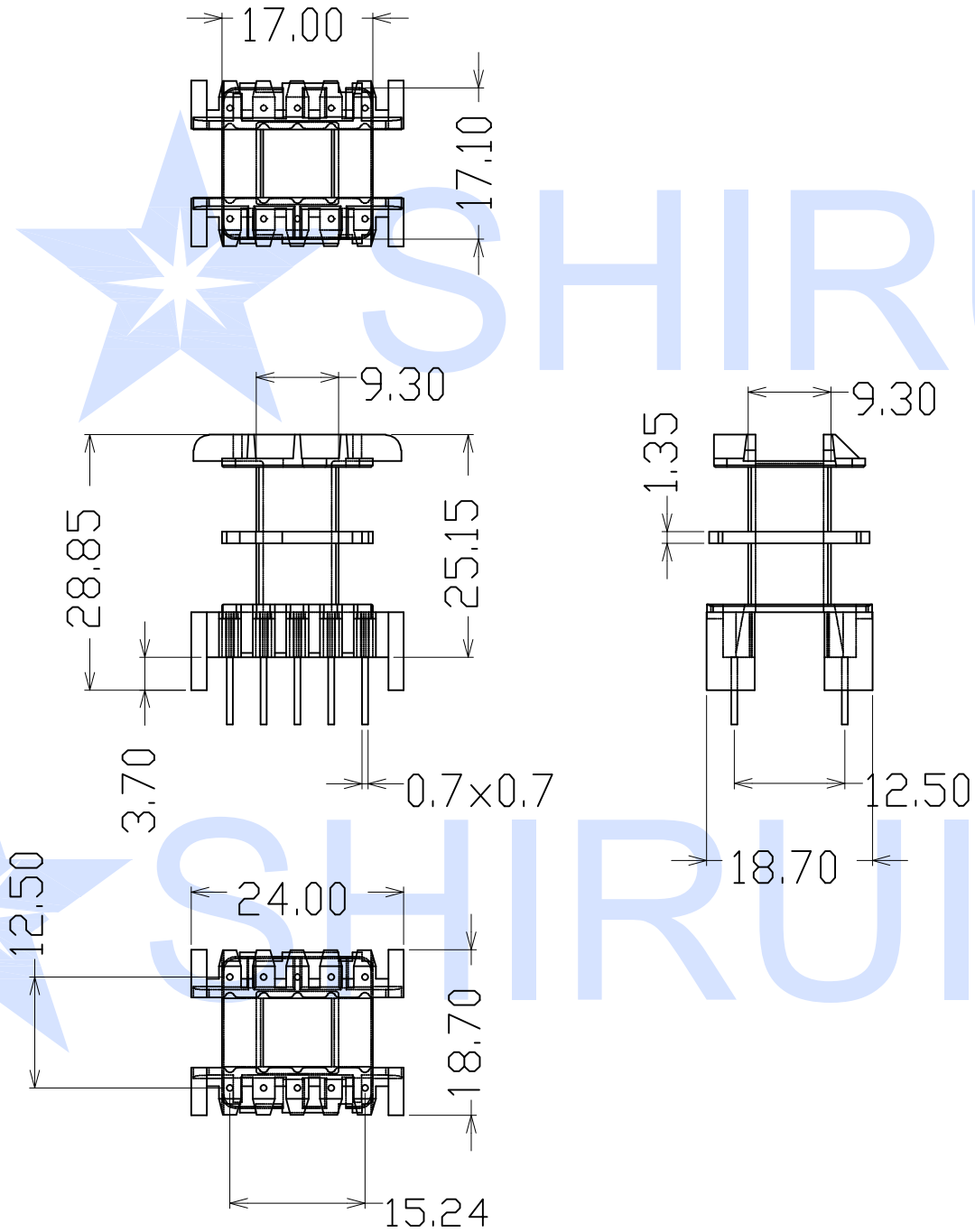


P/N
SR-EF2515



Anhui Shirui Electronic Technology Co., Ltd

TEL:(0086) 55165232650

sales@shiruitech.com

www.shiruitech.com

SR NO. SR-EF2515	MATERIAL: PHENOLIC	UNIT: mm	TOLERANCE	DRN.	WILL H
MODEL NAME! EF25-10P-2S V	UL REC: UL 94V-0		0 L 4 ±0.10	CHD.	IRINA LEE
	ANGLE: ±°		4 L 16 ±0.20	ISSD.	JAMES HU
			16 L 64 ±0.30		
			PIN PITCH ±0.05		

Contact salesman:sales@shiruitech.com,For technique to contact :james@shiruitech.com