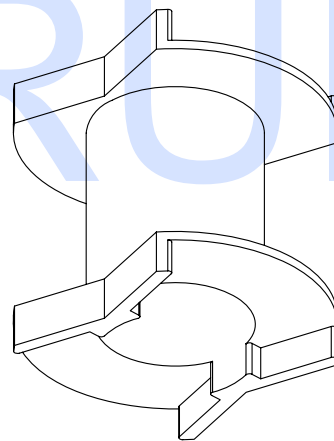
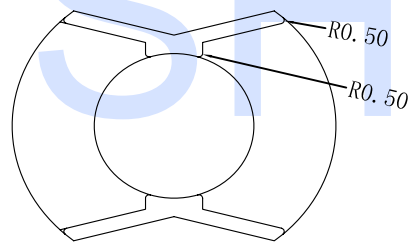
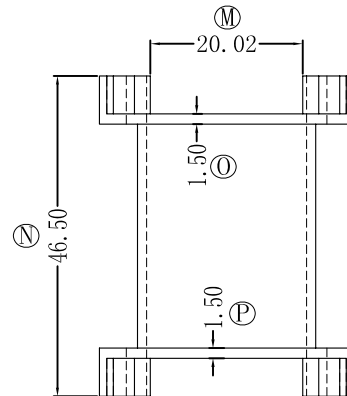
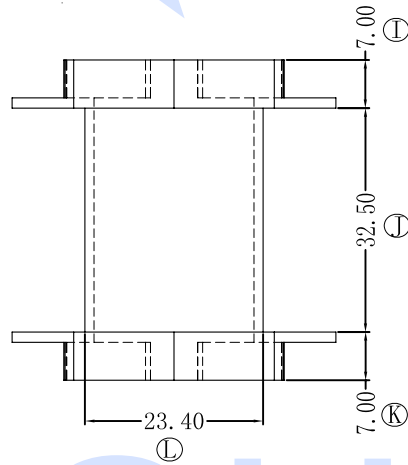
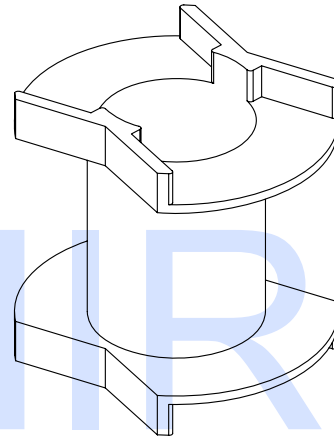
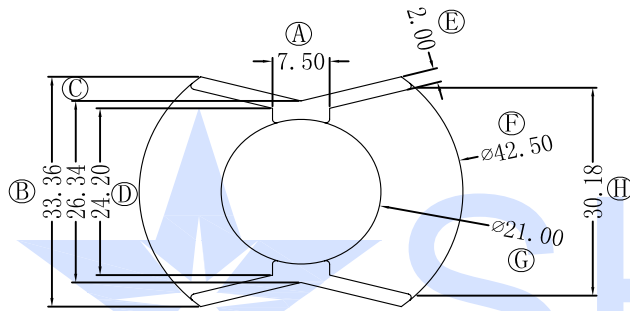


P/N

SR-PQ5050 NO PIN



**Hefei Shirui Electronic Technology Co.,Ltd**

TEL:(0086) 55165232650

sales@shiruitech.com

www.shiruitech.com

|  |                       |          |                 |       |           |
|--|-----------------------|----------|-----------------|-------|-----------|
| SR NO.<br><b>SR-PQ5050 NO PIN</b>      | MATERIAL:<br>PHENOLIC | UNIT: mm | TOLERANCE       | DRN.  | WILL H    |
| MODEL NAME!<br><b>PQ5050-NO PIN 1S</b> | UL REC: UL 94V-0      |          | 0 L 4 ±0.10     | CHD.  | IRINA LEE |
|  | ANGLE: ±°             |          | 4 L 16 ±0.20    | ISSD. | JAMES HU  |
|  | SCALE 1:1             |          | 16 L 64 ±0.30   |       |           |
|  |                       |          | PIN PITCH ±0.05 |       |           |