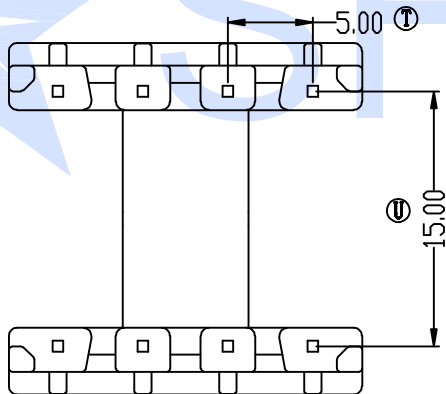
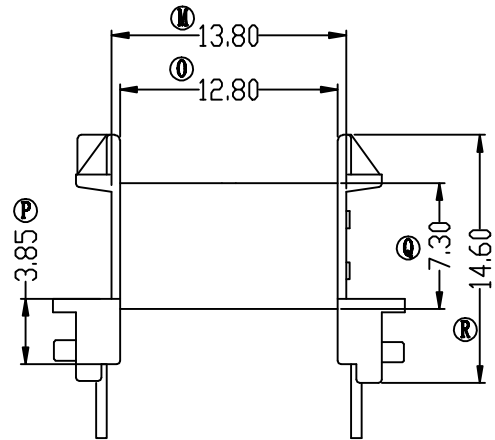
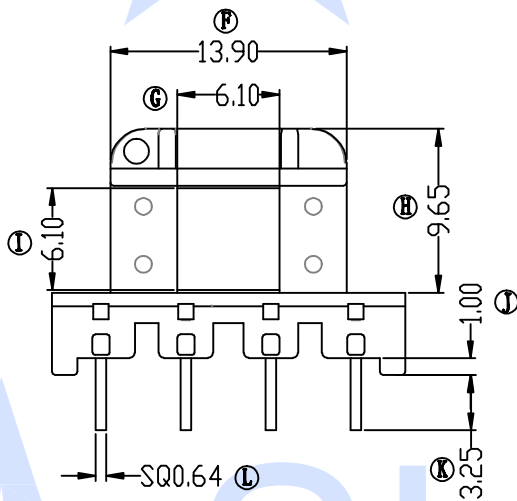
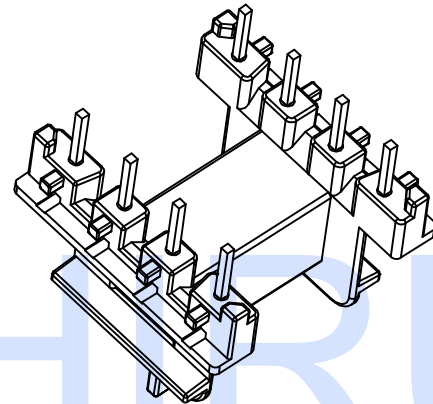
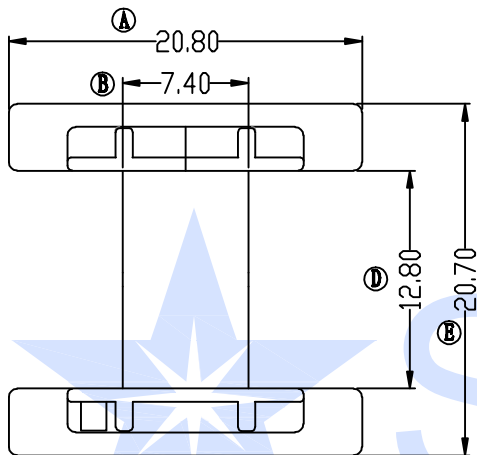


P/N

SR-EF2007



Hefei Shirui Electronic Technology Co.,Ltd

TEL:(0086) 55165232650

sales@shiruitech.com

www.shiruitech.com

| | | | | | |
|------------------------------------|-------------------|----------|-----------------|-------|-----------|
| SR NO. SR-EF2007 | MATERIAL: PA66 | UNIT: mm | TOLERANCE | DRN. | WILL H |
| MODEL NAME! EF20-8P-1S H | UL REC: UL 94V-0 | | 0 L 4 ±0.10 | CHD. | IRINA LEE |
| | ANGLE: ±° | | 4 L 16 ±0.20 | ISSD. | JAMES HU |
| | SCALE 1:1 | | 16 L 64 ±0.30 | | |
| | | | PIN PITCH ±0.05 | | |