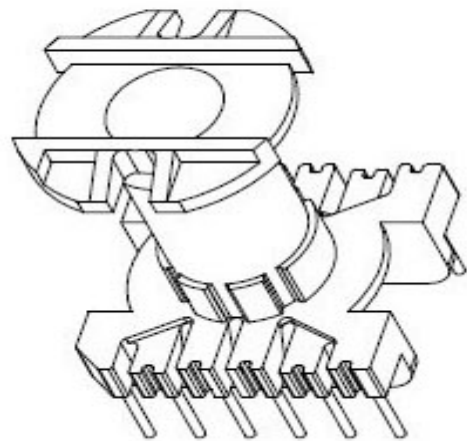
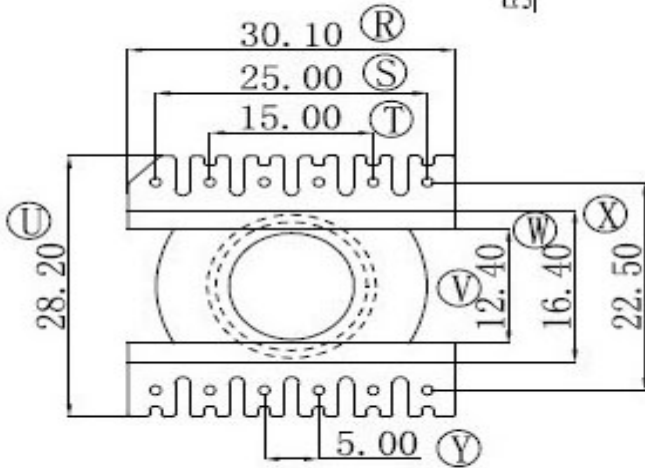
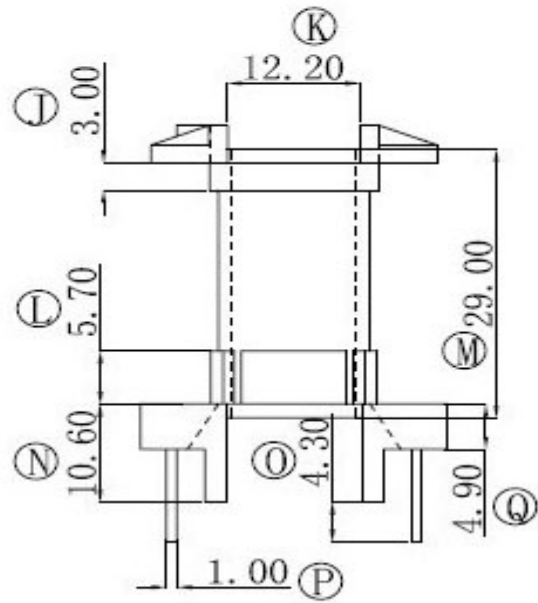
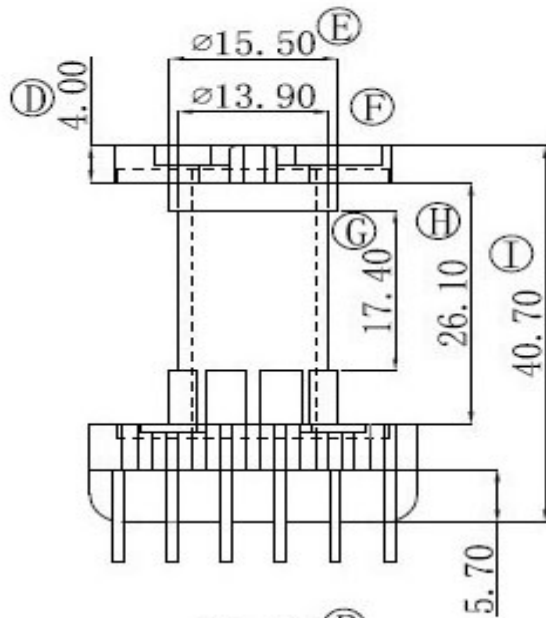
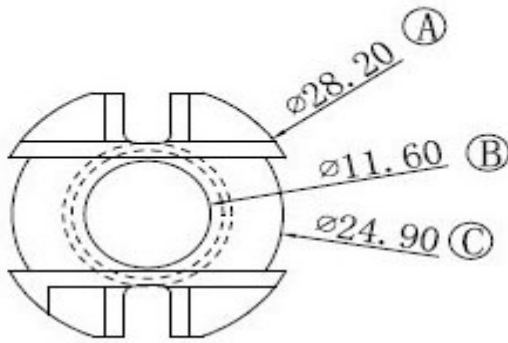


P/N

SR-ER3504-1



Hefei Shirui Electronic Technology Co.,Ltd

TEL:(0086) 55165232650

sales@shiruitech.com

www.shiruitech.com

SR NO. SR-ER3504-1	MATERIAL: PHENOLIC	UNIT: mm	DRN.	WILL H
MODEL NAME: ER35-12P-1S V	UL REC: UL 94V-0	TOLERANCE	CHD.	IRINA LEE
	ANGLE: \pm °	0 L 4 ± 0.10	ISSD.	JAMES HU
	SCALE 1:1	4 L 16 ± 0.20		
		16 L 64 ± 0.30		
		PIN PITCH ± 0.05		