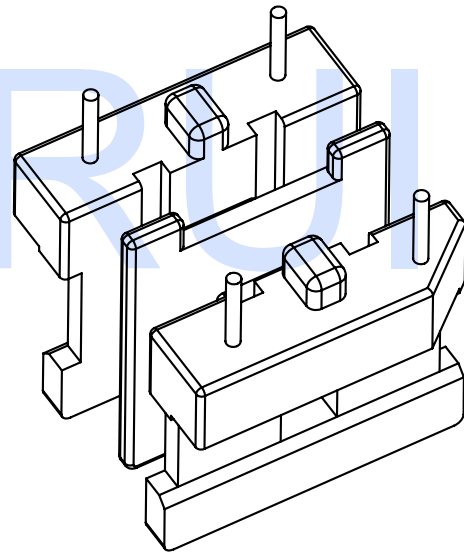
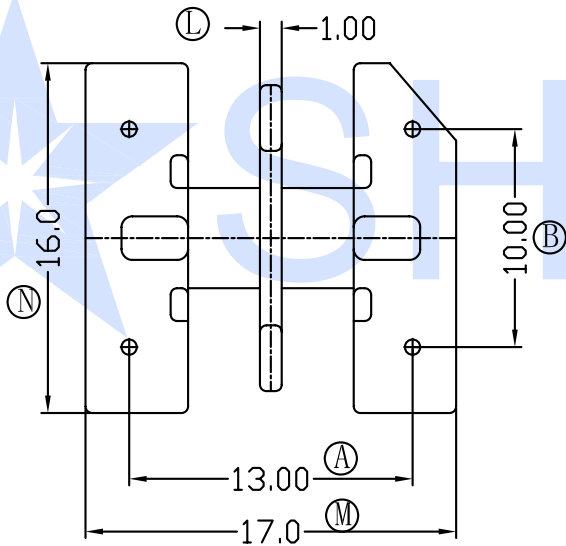
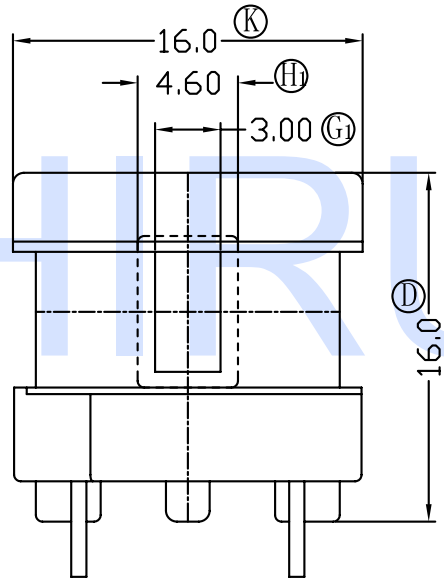
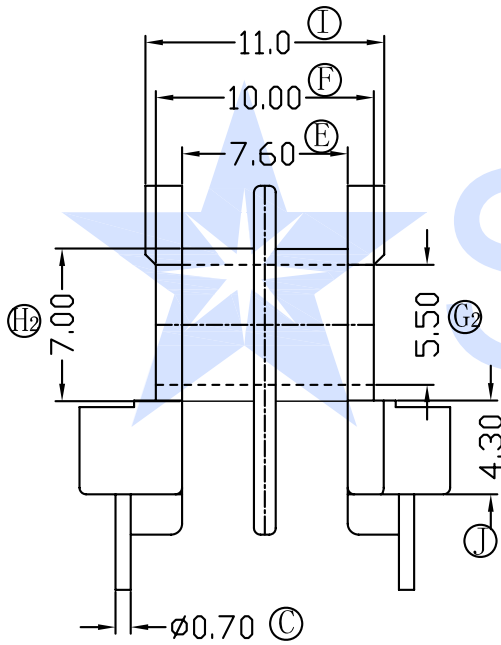


P/N

SR-UU 1053



**Hefei Shirui Electronic Technology Co.,Ltd**

TEL:(0086) 55165232650

sales@shiruitech.com

www.shiruitech.com

SR NO. <b>SR-UU 1053</b>	MATERIAL: PHENOLIC	UNIT: mm	DRN.	WILL H
MODEL NAME: <b>UU-10.5-2S H</b>	UL REC: UL 94V-0	TOLERANCE	CHD.	IRINA LEE
	ANGLE: $\pm$ °	0 L 4 $\pm 0.10$	ISSD.	JAMES HU
	SCALE 1:1	4 L 16 $\pm 0.20$		
		16 L 64 $\pm 0.30$		
		PIN PITCH $\pm 0.05$		