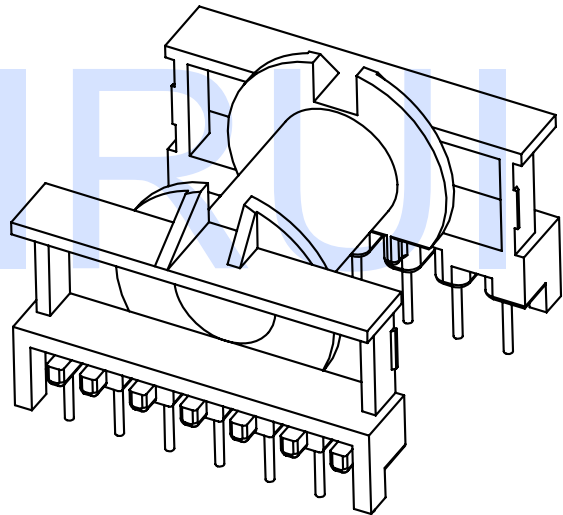
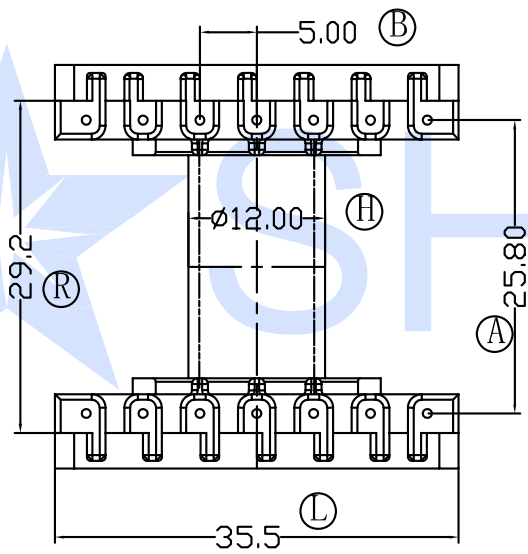
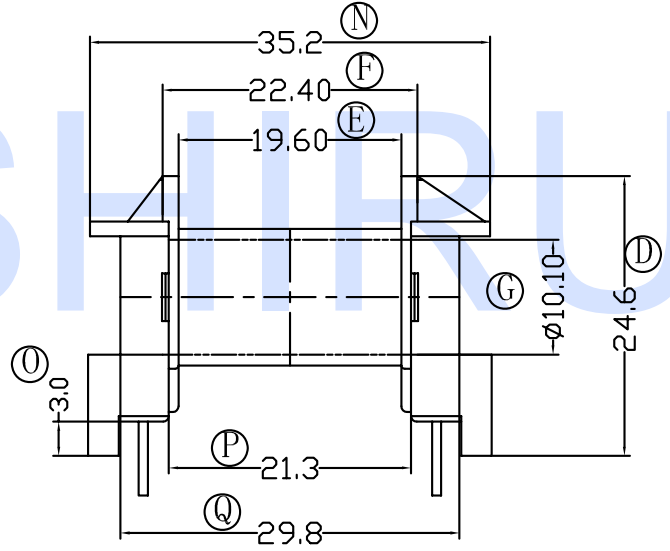
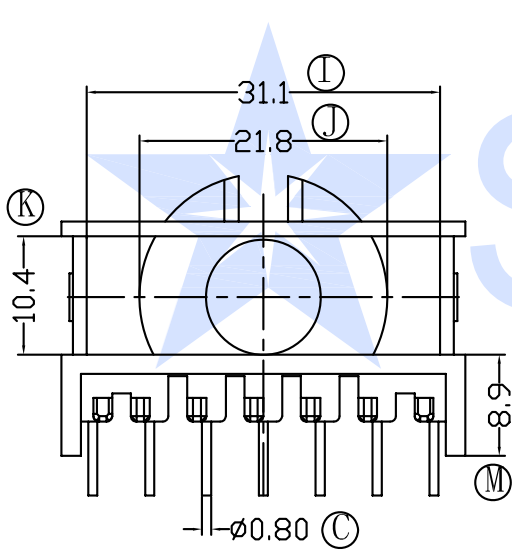


P/N

SR-ETD 2901



Hefei Shirui Electronic Technology Co., Ltd

TEL: (0086) 55165232650

sales@shiruitech.com

www.shiruitech.com

SR NO.

SR-ETD 2901

MATERIAL:

PHENOLIC

UNIT: mm

TOLERANCE

DRN.

WILL H

MODEL NAME:

ETD29-14P-1S H

UL REC: UL 94V-0

0 L 4 ±0.10

CHD.

IRINA LEE

ANGLE: ±°

4 L 16 ±0.20

ISSD.

JAMES HU



SCALE 1:1

16 L 64 ±0.30

PIN PITCH ±0.05