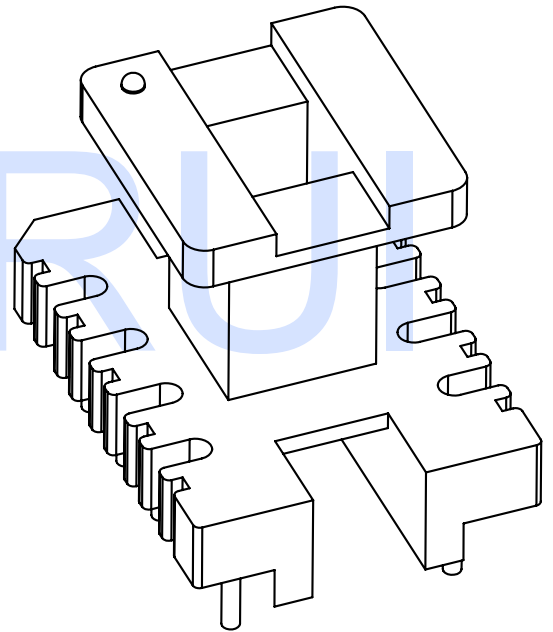
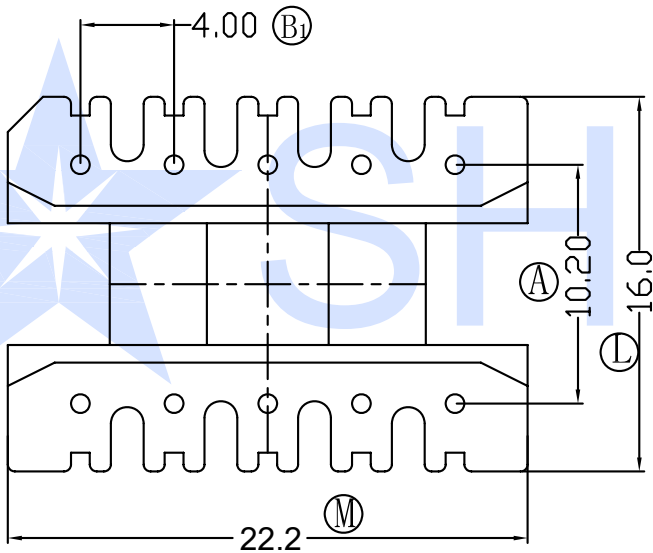
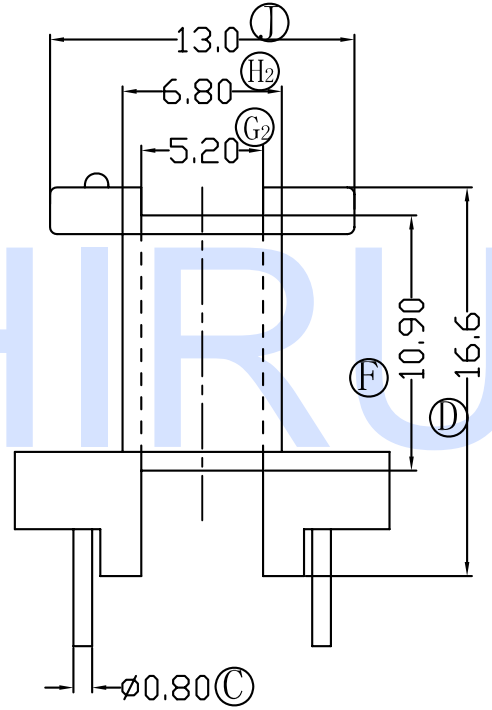
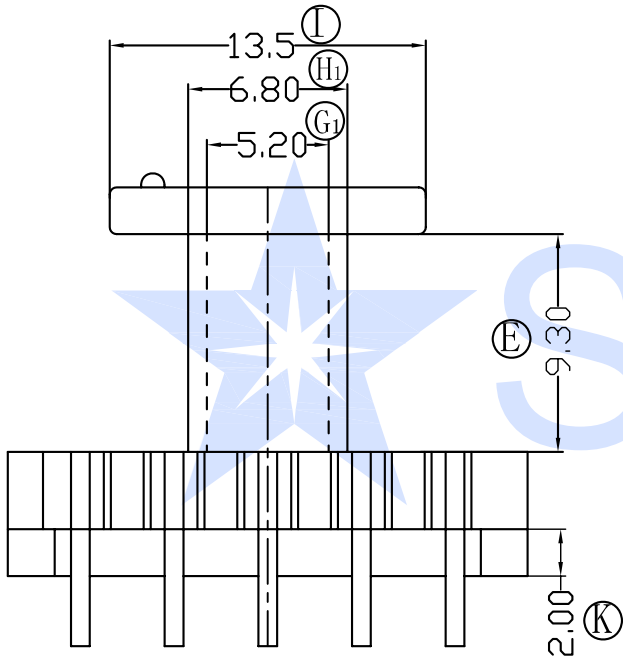


P/N

SR-EI 1909



**Hefei Shirui Electronic Technology Co., Ltd**

TEL: (0086) 55165232650

sales@shiruitech.com

www.shiruitech.com

SR NO. <b>SR-EI 1909</b>	MATERIAL: PHENOLIC	UNIT: mm	DRN.	WILL H
MODEL NAME: <b>EI19-10P-1S V</b>	UL REC: UL 94V-0	TOLERANCE	CHD.	IRINA LEE
	ANGLE: ±°	0 L 4 ±0.10	ISSD.	JAMES HU
	SCALE 1:1	4 L 16 ±0.20		
		16 L 64 ±0.30		
		PIN PITCH ±0.05		