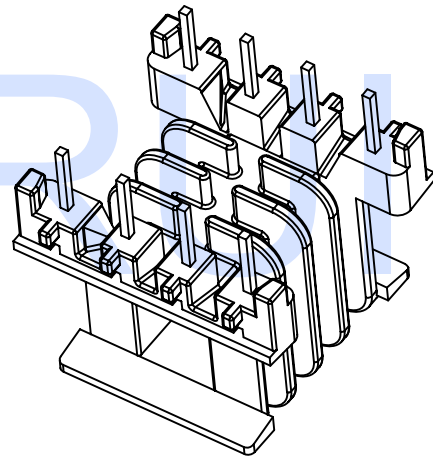
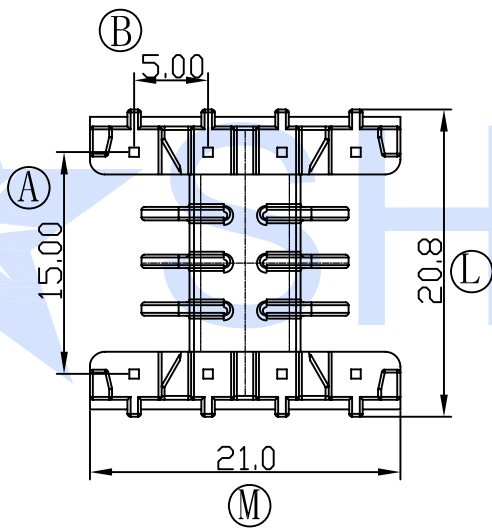
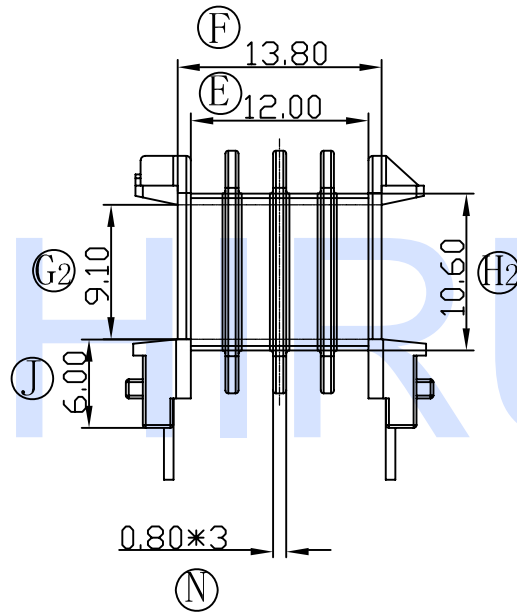
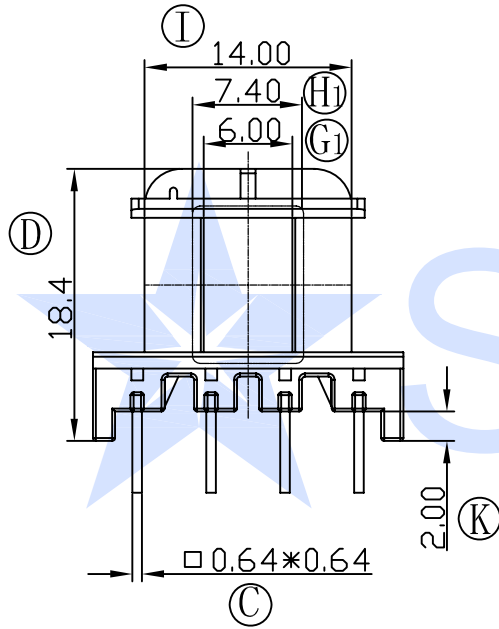


P/N

SR-EF 2012-2




**Hefei Shirui Electronic Technology Co.,Ltd**

TEL: (0086) 55165232650

sales@shiruitech.com

www.shiruitech.com

SR NO. <b>SR-EF 2012-2</b>	MATERIAL: PET/NYLON RED	UNIT: mm TOLERANCE	DRN.	WILL H
MODEL NAME! <b>EF20-8P-4S H</b>	UL REC: UL 94V-0	0 L 4 ±0.10	CHD.	IRINA LEE
	ANGLE: ±°	4 L 16 ±0.20	ISSD.	JAMES HU
	 SCALE 1:1	16 L 64 ±0.30		
		PIN PITCH ±0.05		